



Essential LEDspot GU10

LEDspot50W GU10Kit_S 865 100-240V 36D

Essential LEDspots are compatible with most existing fixtures with a GU10 socket and are designed as a retrofit replacement for halogen spots. Essential LEDspots deliver significant energy savings and minimize initial investment.

Product data

General Information	
Cap-Base	GU10 [GU10]
Nominal Lifetime (Nom)	15000 h
Switching Cycle	50000X
Technical Type	5-50W
Light Technical	
Color Code	865 [CCT of 6500K]
Beam Angle (Nom)	36 °
Luminous Flux (Nom)	350 lm
Luminous Flux (Rated) (Nom)	350 lm
Luminous Intensity (Nom)	850 cd
Color Designation	Cool Daylight
Rated Beam Angle	36 °
Correlated Color Temperature (Nom)	6500 K
Luminous Efficacy (rated) (Nom)	72.00 lm/W
Color Consistency	<6
Color Rendering Index (Nom)	80
LLMF At End Of Nominal Lifetime (Nom)	70 %

Operating and Electrical	
Input Frequency	50 to 60 Hz
Power (Rated) (Nom)	5 W
Lamp Current (Max)	75 mA
Lamp Current (Min)	45 mA
Starting Time (Nom)	0.5 s
Warm Up Time to 60% Light (Nom)	0.5 s
Power Factor (Nom)	0.4
Voltage (Nom)	100-240 V

Temperature	
T-Case Maximum (Nom)	80 °C

Controls and Dimming	
Dimmable	No

Approval and Application	
Suitable For Accent Lighting	Yes

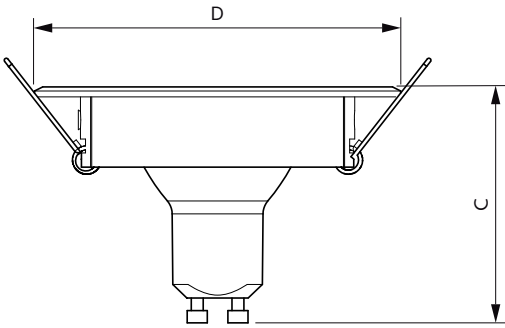
Product Data	
Full product code	871869668816800

Essential LEDspot GU10

Order product name	LEDspot50W GU10Kit_S 865 100-240V 36D
EAN/UPC - Product	8718696688168
Order code	929001301111
Numerator - Quantity Per Pack	1
Numerator - Packs per outer box	6

Material Nr. (12NC)	929001301111
Net Weight (Piece)	0.080 kg

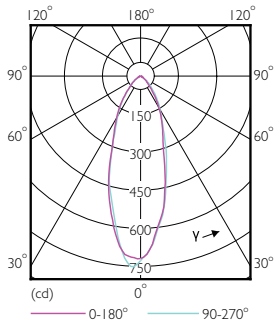
Dimensional drawing



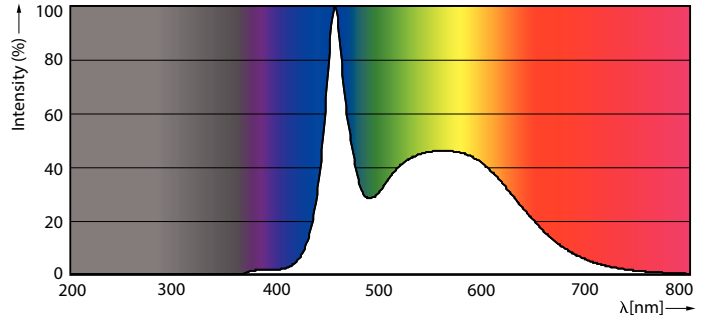
Sq GU10 230V 5-35W 350lm 36D 6500K ND

Product	D	C
LEDspot50W GU10Kit_S 865 100-240V 36D	90 mm	62 mm

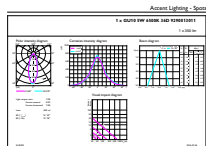
Photometric data



LEDSpot 50W GU10 PAR16 36D



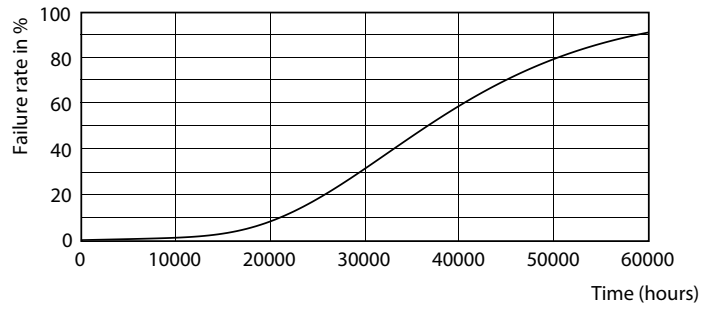
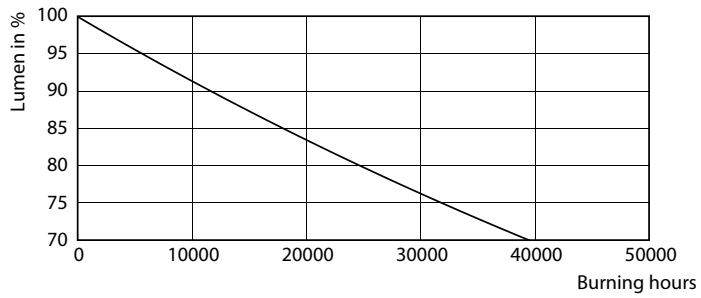
LEDSpot 50W GU10 PAR16 865 36D



LEDSpot 50W GU10 PAR16 865 36D

Essential LEDspot GU10

Lifetime



LEDSpot 50W GU10 PAR16 36D

LEDSpot 50W GU10 PAR16 36D

